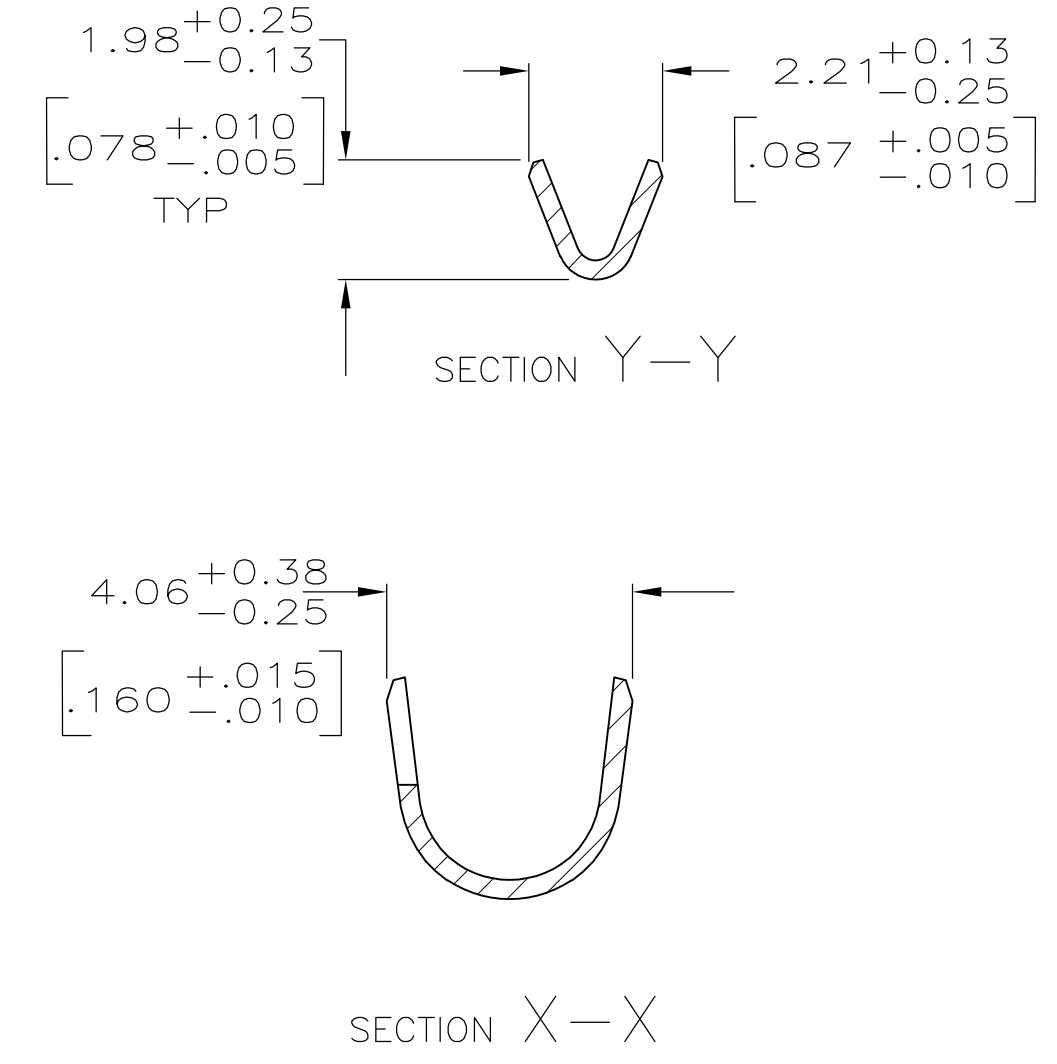
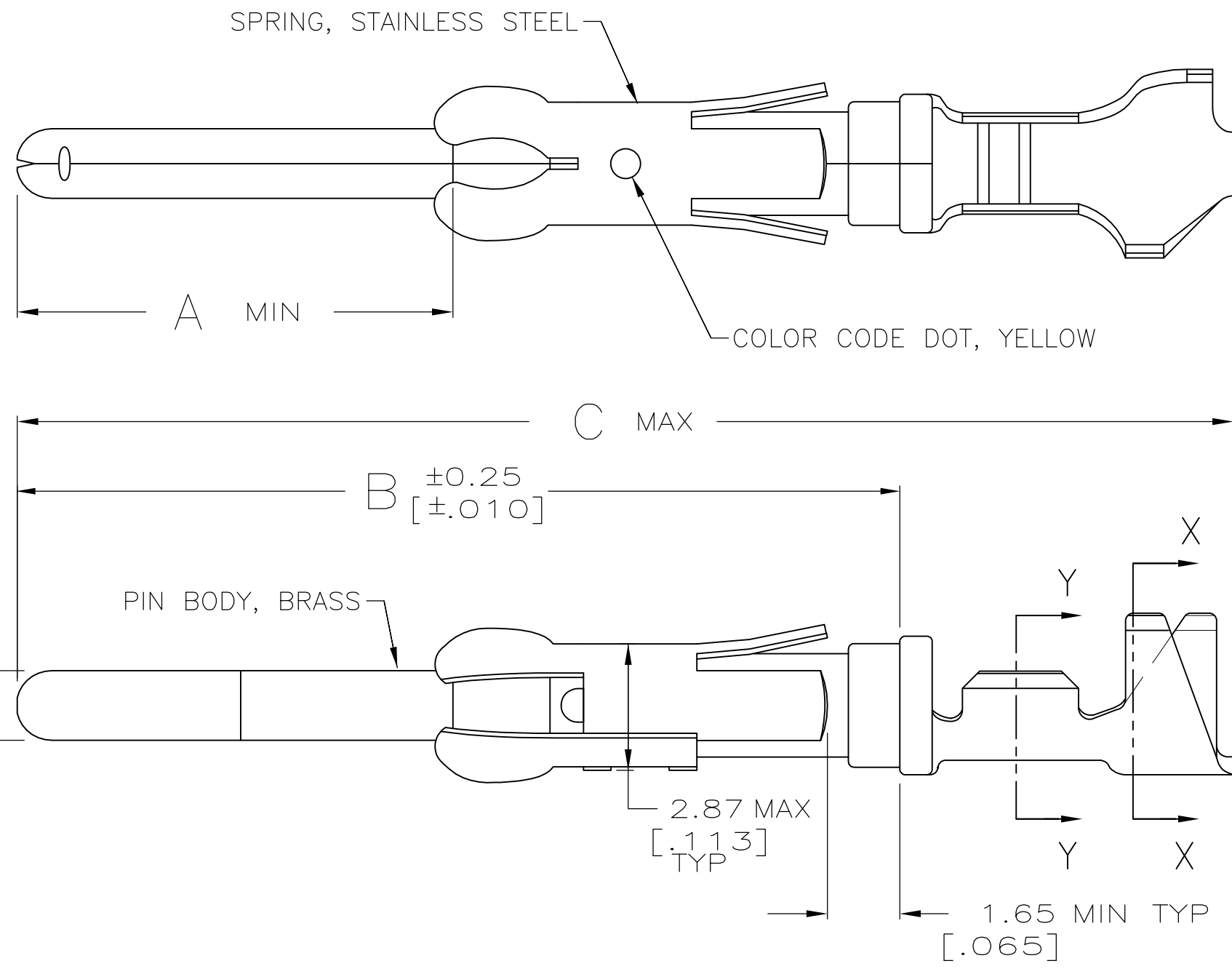


THIS DRAWING IS UNPUBLISHED. RELEASED FOR PUBLICATION
 © COPYRIGHT - By - ALL RIGHTS RESERVED.

LOC	DIST	REVISIONS					
FT	47	P	LTR	DESCRIPTION	DATE	DWN	APVD
		R1		REVISED PER ECO-14-001124	24JAN2014	NK	MZ



- 1 1.27µm [.000050] MIN TIN-LEAD OVER
1.27µm [.000050] MIN NICKEL.
- 2 0.76µm [.000030] MIN PRECIOUS METAL PLATE ON MATING END FOR A LENGTH OF 5.08 [.200] MIN OVER 1.27µm [.000050] MIN NICKEL PLATE. 0.25µm [.000010] MIN GOLD ON THE REMAINDER ALL OVER 1.27µm [.000050] MIN NICKEL. CONFORMS TO THE REQUIREMENTS OF TE CONNECTIVITY PRODUCT SPEC 108-10042, BASED ON EIA/ECA-364-1000.01A (CONTROLLED ENVIRONMENT APPLICATIONS).
- 3 0.76µm [.000030] MIN PRECIOUS METAL PLATE ON MATING END FOR A LENGTH OF 5.08 [.200] MIN WITH 1.27µm [.000050] MIN MATTE TIN PLATE IN WIRE CRIMP AREA BOTH OVER 1.27µm [.000050] MIN NICKEL PLATE. CONFORMS TO THE REQUIREMENTS OF TE CONNECTIVITY PRODUCT SPEC 108-10042, BASED ON EIA/ECA-364-1000.01A (CONTROLLED ENVIRONMENT APPLICATIONS).
- 4 0.38µm [.000015] MIN GOLD IN LOCALIZED PLATE AREA, GOLD FLASH ON THE REMAINDER ALL OVER 1.27µm [.000050] NICKEL.
- 5 WIRE RANGE 24-20 AWG.
- 6 INSULATION RANGE 1.52[.060]-3.05[.120] DIA.
- 7 0.38µm [.000015] MIN GOLD PER MIL-G-45204 IN LOCALIZED PLATE AREA, 1.27µm [.000050] MIN TIN-LEAD PER MIL-T-10727 FOR A LENGTH OF 5.69 [.224] MIN ON OPPOSITE END, BOTH OVER 1.27µm [.000050] MIN NICKEL PER QQ-N-290 ON ENTIRE CONTACT.
- 8 1.27µm [.000050] MIN TIN OVER
1.27µm [.000050] MIN NICKEL.

	27.56 [1.085]	20.17 [.794]	9.91 [.390]	8	1-66564-2 OR 1-66564-3	66566-7
OBSOLETE	27.56 [1.085]	20.17 [.794]	9.91 [.390]	7	1-66564-1	66566-6
OBSOLETE	30.78 [1.212]	23.85 [.939]	13.59 [.535]	1	1-66564-0	66566-5
	27.56 [1.085]	20.17 [.794]	9.91 [.390]	3	66564-8	66566-4
OBSOLETE	27.56 [1.085]	20.17 [.794]	9.91 [.390]	4	-	66566-3
	27.56 [1.085]	20.17 [.794]	9.91 [.390]	1	66564-2	66566-2
	27.56 [1.085]	20.17 [.794]	9.91 [.390]	2	66564-1	66566-1
	C	B	A	FINISH	STRIP P/N REF	PART NUMBER

THIS DRAWING IS A CONTROLLED DOCUMENT.

DWN	H MOLL	10-1-90	 TE Connectivity			
CHK	J.MCCLINTON	12-15-90				
APVD	A.BOULLTANNE	12-10-90				
PRODUCT SPEC						
APPLICATION SPEC			NAME			
			PIN ASSEMBLY, LOOSE PIECE, TYPE III+			
MATERIAL	FINISH	WEIGHT	SIZE	CAGE CODE	DRAWING NO	RESTRICTED TO
SEE CALL OUT	PIN BODY: SEE TBL	-	A2	00779	C-66566	-
CUSTOMER DRAWING			SCALE	SHEET	REV	
			8:1	1 OF 1	R1	